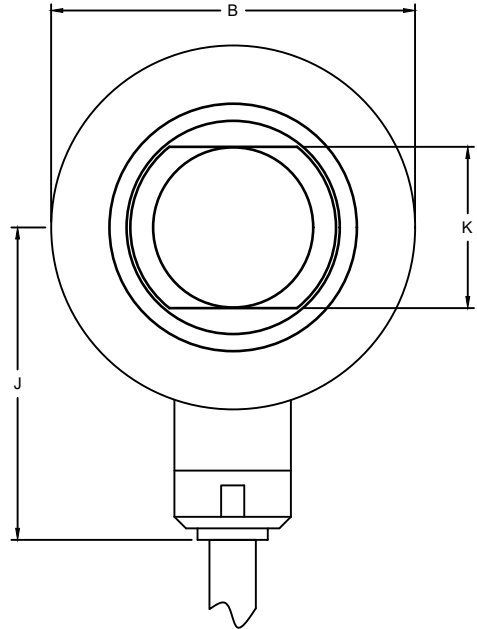
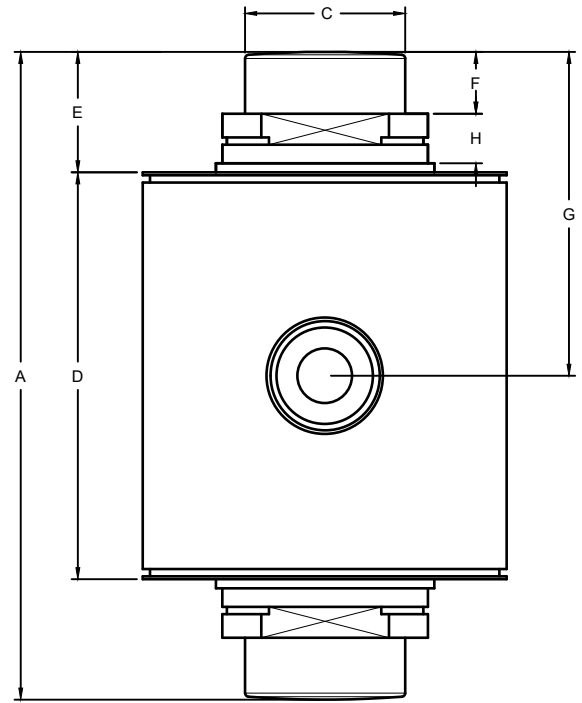
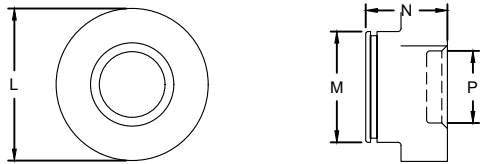


REVISIONS							
ZONE	LTR.	DESCRIPTION	DATE	ECN	BY	CKD	APVD
-	G	ADDED 15t LOAD CELL & 40t RECEIVER CUPS	04/19/19	2019-30	TB	AT	AA
-	J	100K CAPACITY ADDED	07/12/21	2021-10	GC	AT	AT

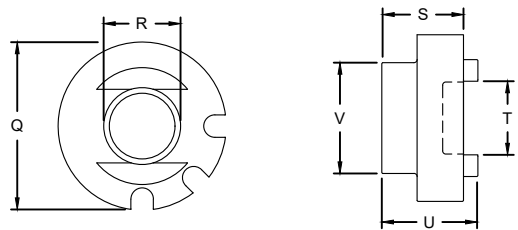


- PERFORMANCE SPECIFICATIONS: \*Non-NTEP**
- CAPACITIES: \*7.5t, 15t, 22.5t, 30t, 40t, 100k, 50t (METRIC TON)
  - RATED OUTPUT: 2.00 mV/V ±0.25%.
  - SAFE OVERLOAD: 150% FS.
  - EXCITATION VOLTAGE: 10V AC/DC (15V MAX).
  - INPUT RESISTANCE: 1150 ±10Ω
  - OUTPUT RESISTANCE: 1000 ±5Ω
  - ZERO BALANCE: ±1.00% FS.
  - SEAL TYPE: HERMETICALLY SEALED IP68
  - NON-LINEARITY: ±0.03% FS.
  - HYSTERESIS: ±0.02% FS.
  - REPEATABILITY: ±0.01% FS.
  - CREEP: ±0.02% FS IN 30 MINUTES.
  - NTEP RATED
  - CLASS III, 10,000 DIVISION, MULTIPLE CELL.
  - COMPENSATED TEMPERATURE RANGE: 0°C TO +30°C.
  - TEMPERATURE EFFECT ZERO: ±0.0027% FS/°C
  - TEMPERATURE EFFECT ON OUTPUT: ±0.0015% FS/°C
  - INSULATION RESISTANCE: 5000 MEGOHMS.
  - LOAD CELL CABLE: 4-22AWG, Ø6.8MM, BRAIDED, 50FT.
  - LOAD CELL WIRING:  
GRN (+EXC)  
BLK (-EXC)  
WHT (+SIG)  
RED (-SIG)  
BRAID/YELLOW: SHIELD
  - FM APPROVED



#610 UPPER 30t, 40t & 100k ONLY  
#628 UPPER 50t ONLY

RATED CAPACITY	DIMENSIONS																			
	A	B	C	D	E	F	G	H	J	K	L	M	N	P	Q	R	S	T	U	V
7.5t-15t	3.50	2.56	1.10	1.60	0.91	0.43	1.75	0.24	2.63	1.10	-	-	-	-	-	-	-	-	-	-
22.5t	3.50	2.56	1.10	1.60	0.91	0.43	1.75	0.24	2.63	1.10	-	-	-	-	-	-	-	-	-	-
30t	5.51	2.95	1.54	3.19	1.10	0.51	2.75	0.26	2.86	1.54	3.74	2.48	1.38	1.61	3.74	1.66	1.38	1.55	1.62	2.48
40t	5.91	2.95	1.54	3.19	1.30	0.51	2.95	0.46	2.86	1.54	3.74	2.48	1.38	1.61	3.74	1.66	1.38	1.55	1.62	2.48
100k	5.91	2.95	1.54	3.19	1.30	0.51	2.95	0.46	2.86	1.54	3.74	2.48	1.38	1.61	3.74	1.66	1.38	1.55	1.62	2.48
50t	7.01	3.90	1.73	4.22	1.34	0.67	3.50	0.33	3.38	1.73	3.74	2.72	2.01	1.77	4.13	1.81	2.01	1.77	2.36	2.72



#611 LOWER 30t, 40t & 100k ONLY  
#629 LOWER 50t ONLY



DO NOT ALTER WITHOUT AGENCY NOTIFICATION  
**Coti Global Sensors**  
MANUFACTURING  
Weighing Products Worldwide

 THIS DRAWING USES THIRD ANGLE PROJECTION	TOLERANCES UNLESS OTHERWISE SPECIFIED .XX=±0.02" .XXX=±0.005" .XXXX=±0.0002" FRACTIONS ±1/16" ANGLES DEC. ±1/8°	APPROVALS	DATE	SCALE SIZE PART/DRAWING NO. NONE B DOD-CG-26S6	REV. J
		DRAWN: TB 04/19/19 CHECKED: AA 04/19/19 ENGINEER: TB 04/19/19 APPROVED: AA 04/19/19 MATERIAL: STAINLESS STEEL FINISH: PASSIVATED	MODEL: CG-26S6		