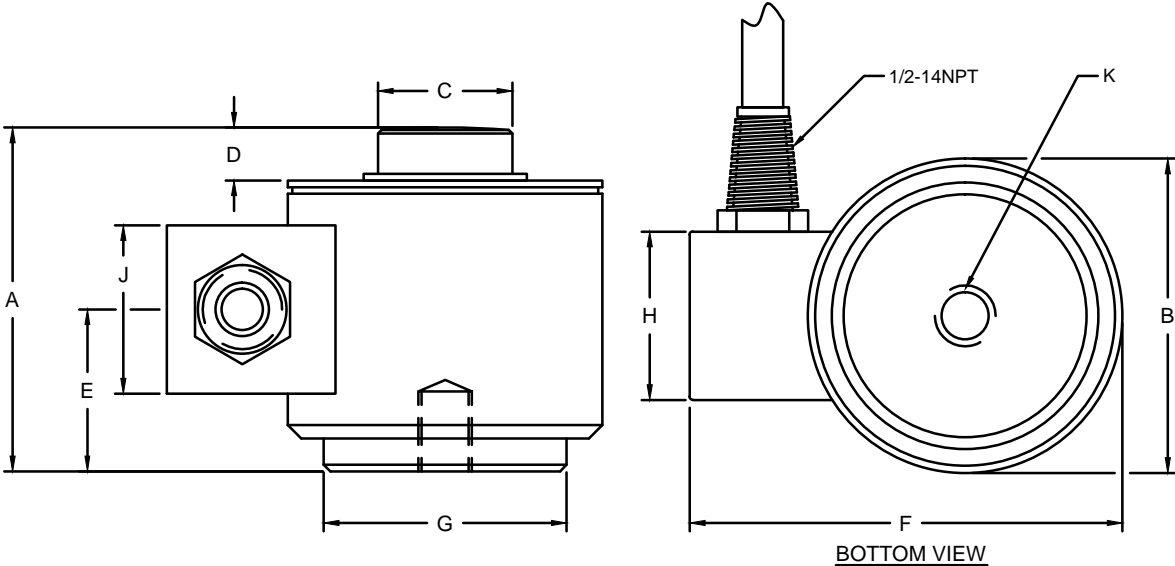


REVISIONS							
ZONE	LTR.	DESCRIPTION	DATE	ECN	BY	CKD	APVD
-	C	REDRAWN FOR CATALOG; REASSIGNED TABLE LETTERS AND ADDED DIMS J,K & L	04/24/15	2015-26	RLU	JSP	AA

PERFORMANCE SPECIFICATIONS:

- CAPACITIES: 10K, 25K, 50K, 100K, 200K, 300K, 500K. (LB).
- RATED OUTPUT: 2.00 mV/V $\pm 0.25\%$.
- SAFE OVERLOAD: 150% FS.
- EXCITATION VOLTAGE: 10V AC/DC (15V MAX).
- INPUT RESISTANCE: 450 $\pm 10\Omega$.
- OUTPUT RESISTANCE: 480 $\pm 5\Omega$.
- ZERO BALANCE: $\pm 1.00\%$ FS.
- SEAL TYPE: HERMETICALLY SEALED IP67.
- NON-LINEARITY: $\pm 0.05\%$ FS.
- HYSTERESIS: $\pm 0.03\%$ FS.
- REPEATABILITY: $\pm 0.01\%$ FS.
- CREEP: $\pm 0.03\%$ FS IN 30 MINUTES.
- COMPENSATED TEMPERATURE RANGE: -10°C TO +40°C.
- TEMPERATURE EFFECT ON ZERO: $\pm 0.0027\%$ FS/°C.
- TEMPERATURE EFFECT ON OUTPUT: $\pm 0.0015\%$ FS/°C.
- INSULATION RESISTANCE: 5000 MEGOHMS.
- LOAD CELL CABLE: 4-24AWG, $\varnothing 5.6\text{MM}$, PVC, 50FT.
- LOAD CELL WIRING:
GRN (+EXC)
BLK (-EXC)
WHT (+SIG)
RED (-SIG)
YELLOW: SHIELD
- FM APPROVED.



RATED CAPACITY	DIMENSIONS									
	A	B	C	D	E	F	G	H	J	K
10K - 50K	3.25	2.88	1.25	0.40	1.58	4.08	2.28	1.57	1.57	1/2-20UNF x 0.31 DEEP
100K	5.00	4.12	2.31	0.51	2.45	5.13	3.25	1.97	1.57	3/4-16UNF x 0.56 DEEP
200K - 300K	7.25	6.00	3.13	1.04	3.65	7.07	4.88	1.97	1.97	3/4-16UNF x 0.75 DEEP
500K	9.00	6.50	3.69	1.00	4.81	7.66	5.37	1.97	1.97	3/4-16UNF x 0.75 DEEP

DO NOT ALTER WITHOUT AGENCY NOTIFICATION
COTI GLOBAL SENSORS, INC.

CG - 26S5 COMPRESSION CANISTER LOAD CELL

<p>THIS DOCUMENT CONTAINS PROPRIETARY INFORMATION AND SUCH INFORMATION MAY NOT BE REPRODUCED OR DISCLOSED FOR ANY PURPOSE OR USED TO PRODUCE THE ARTICLE OR SUBJECT WITHOUT WRITTEN PERMISSION FROM COTI GLOBAL SENSORS, INC.</p>	<p>TOLERANCES UNLESS OTHERWISE SPECIFIED .XX = ± 0.02" .XXX = ± 0.005" .XXX = ± 0.0002" FRACTIONS: $\pm 1/16$" ANGLES DEG: $\pm 1/8$</p>	APPROVALS		DATE	
		DRAWN: RLU		04/24/15	
		CHECKED: AA		04/24/15	
		ENGINEER: JSP		04/24/15	
		APPROVED: AA		04/24/15	
MATERIAL: STAINLESS STEEL		SCALE: NONE	SIZE: B	PART/DRAWING NO. DOD-CG-26S5	REV. C
FINISH: PASSIVATED		MODEL: CG-26S5	SHEET 1 OF 1		