

# High resolution meets value

## Tried & True Sensor Technology

Smart-SHS the latest advancement in our super hybrid design, construction and algorithms.

- Dependable strain gauge technology making precision resolution affordable
- Lower cost of ownership with reliable construction

## Practical Functionality

- Compact and Portable with 4 AA - go anywhere weigh anything
- Bright & Visible Backlit LCD & Spirit level
- Stackable, Anti-static breeze break increases stability
- Cleanable with Stainless Steel (SUS304) and ABS components
- Anti-theft protection with security lock slot
- Easy access Flip-lid or Click&Lift chamber EJ54D2
- Metal weigh boat includes EJ54D2

## Flexible Communications

- External Calibration easy one touch button performs & document external calibration.
- Quick USB interface (EJ-02), allows data output to Microsoft Excel, Word, Notepad no driver required
- RS-232C interface (EJ-03) for bi-directional communication with a PC, printer or other peripheral devices
- Wireless Interface up to 10 meters (EJ-27)
- GLP/GMP/GCP Compliance outputs manufacturer, model, serial number, ID, date, time, signature for full calibration report.

## Functions you can count on

- Adjustable environmental filters and display hold ideal for tough weighing conditions
- Counting mode with Automatic Counting Accuracy Improvement (ACAI)
- Percent mode to display the weight value as a percentage of a reference mass
- Accumulation (M+) function to display the sum total of separate weighing results
- Density Determination (EJ-13) for 123/303 models
- Multiple units of measure: g, oz, lb, ozt, ct, mom, dwt, gr, N, pcs
- Versatile operation AC adapter or 4 AA batteries
- Auto power OFF function to avoid wasting power (batteries not included)



## KEY FEATURES:



Back lit LCD



External Calibration



Battery Operated



GLP

## Options



RS-232C



Quick USB



Wireless

Specifications		EJ-54D2	EJ-123	EJ-303	EJ-1202	EJ-3002	
Capacity		22 g <sup>1</sup>	52 g <sup>1</sup>	120 g	310 g	1200 g	3100 g
Readability		0.0002 g <sup>1</sup>	0.001 g <sup>1</sup>	0.001 g		0.01 g	
Repeatability (standard deviation)		0.0004 g	0.001 g	0.003 g		0.03 g	
Linearity		±0.0006 g	±0.001 g	±0.003 g		±0.03 g	
Sensitivity drift		±20 ppm/°C (10 to 30°C/50 to 86°F)					
Operating environment		10 to 30°C/50 to 86°F, 85% RH or less (no condensation)					
Display type		7-segment LCD with backlight (character height: 16 mm)					
Display refresh rate		10 times / second					
Units of measure <sup>*2</sup>		g (gram), oz (ounce), lb (pound), ozt (troy ounce), ct (metric carat), mom (momme), dwt (pennyweight), gr (grain), N (Newton), pcs (counting mode), % (percent mode), SG (density mode)					
Counting mode	Min. unit weight <sup>*3</sup>	0.0002 g		0.001 g		0.01 g	
	No. of samples	5, 10, 25, 50 or 100 pieces					
Percent mode	Min. % display	0.01%					
	Min. 100% weight	0.02 g		0.1 g		1 g	
Power supply		AC adapter or 4 AA batteries					
Battery life		Approx. 70 hours with alkaline batteries, backlight OFF		Approx. 80 hours with alkaline batteries, backlight off			
Weighing pan size		Ø50 mm		Ø 110 mm		127 × 140 mm	
External dimensions		190 (W) × 209 (D) × 114 (H) mm		190 (W) × 211 (D) × 131 (H) mm		190 (W) × 208 (D) × 82 (H) mm	
Net weight		Approx. 1020 g		Approx. 1160 g		Approx. 1490 g	
Applicable calibration weight <sup>*1</sup>		50 g		100 g	300 g	1000 g	3000 g
Standard accessories		Breeze break <sup>*4</sup> , AC adapter, Instruction manual					

\*1 The EJ-54D2 is a dual range model having two weighing ranges with different capacities and readabilities. Each range extends from zero to its capacity.

\*2 Either t (tola) or tl (tael - HK general/Singapore, HK jewelry, or Taiwan) can be added upon request, and lb is not available with the EJ-54D2/123/303.

\*3 Factory setting

\*4 For the EJ-54D2/EJ-123/303 only (the breeze break of the EJ-54D2 is opened by sliding its upper surface)

## Accessories

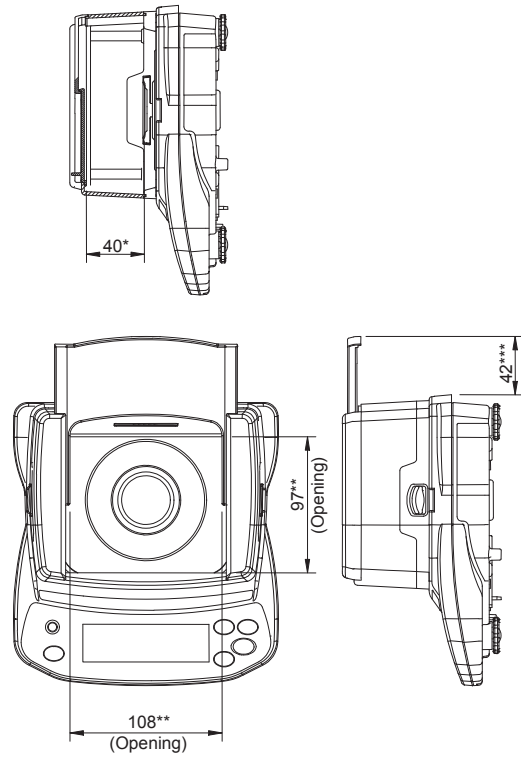
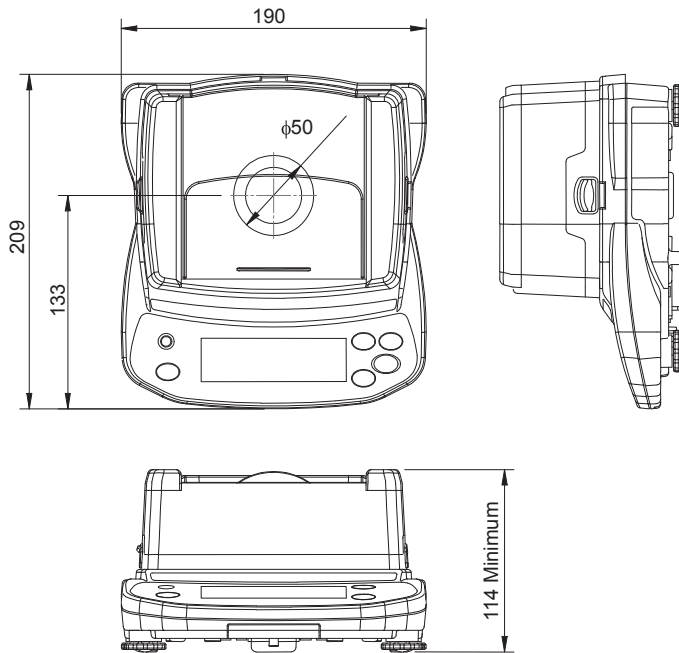
AD-8127	Compact printer
AD-8541-PC	Wireless USB Type A receiver for PC
AD-8931	Wireless remote display
AX-KO2466-200	RS-232C cable (9P-9P, 2 m)
AX-USB-9P	Serial/USB converter with cable
EJ-11	Breeze break mg models
EJ-12	Carry case (except 123/303/1202/3002)
EJ-13	Density determination kit
TB:662	Replacement AC adapter

## Options

EJ-02C	Quick USB interface
EJ-03C	RS-232C interface with 6ft (9P-9P) cable
EJ-27 Kit	Wireless communication includes EJ-27 interface and AD-8541-PC USB receiver

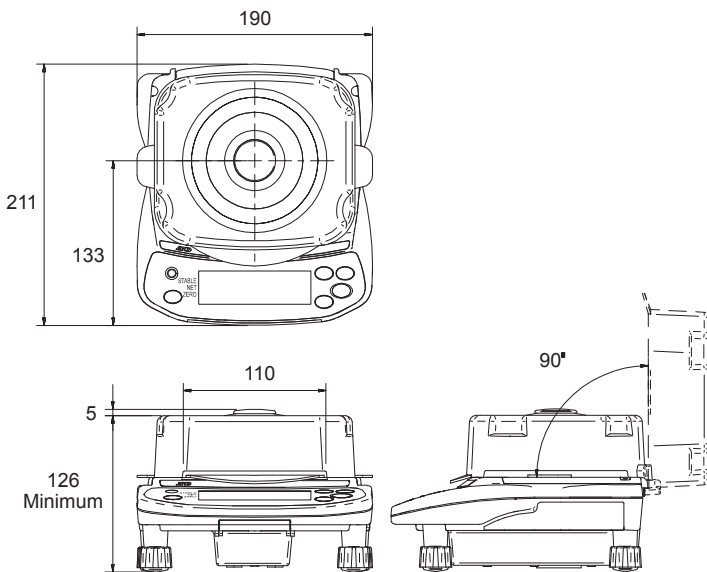
Dimensions (mm)

EJ54D2



\* Inside size from the center of the weighing pan to the sliding door  
 \*\* Size of the breeze break opening  
 \*\*\* Size of the sliding door protruding from the rear of the balance when opened

EJ-123 / EJ-303



EJ-1202 / EJ-3002

